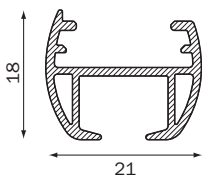


4400

profile

4400

229 gr/m



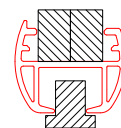
bending

radius

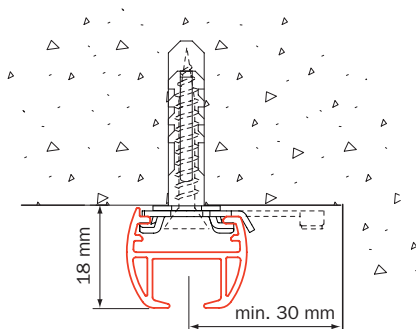
R 15 (1015)
(R10 possible)

R>80 (1018)

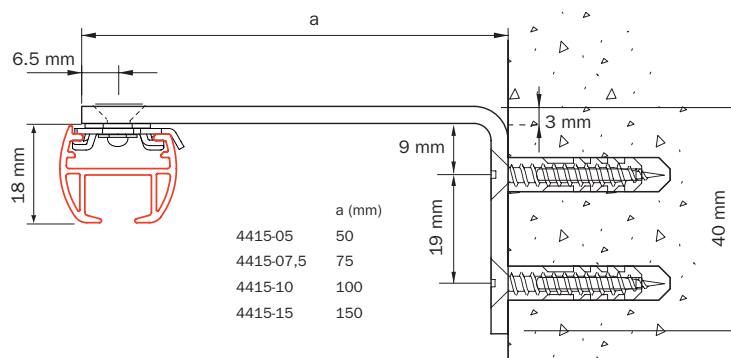
filler position



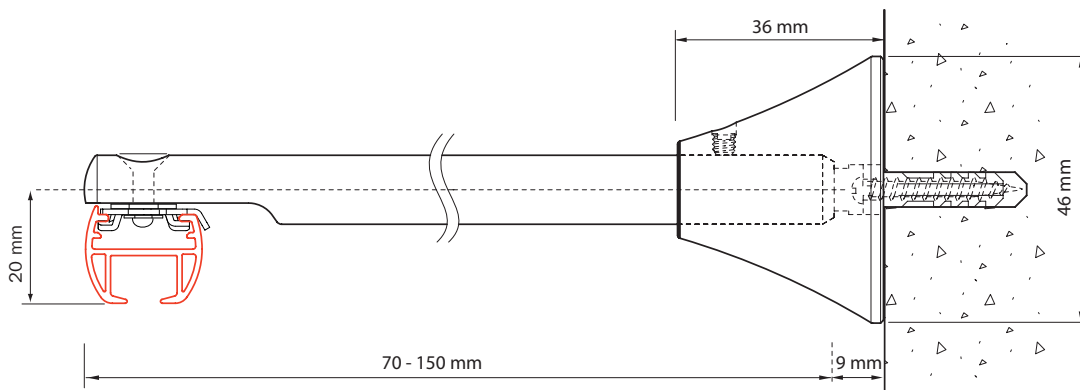
Mounting ceiling and wall



ceiling mounting of the 4400 with ceiling mounting clamp 4450, incl. ring (leave a space of at least 30 mm to allow rotation of the clamp)



wall mounting 4400 with extension brackets 4415



wall mounting 4400 with trimmable extension bracket 4417